

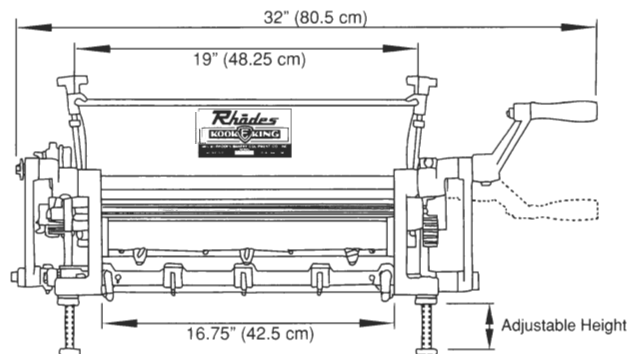
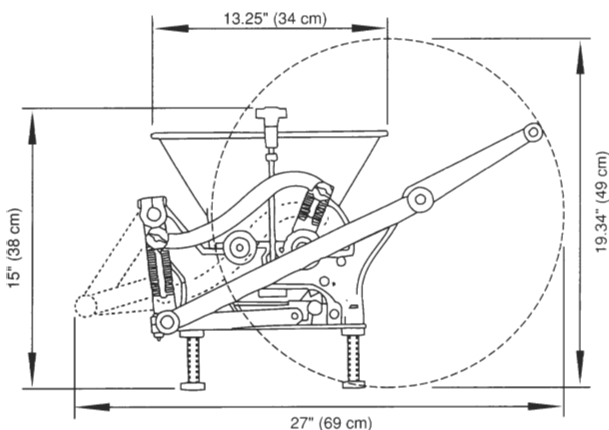
# Rhodes

## KOOK-E-KING®

### Bench Model

60  
YEARS  
1946 - 2006

- Low cost automation of cookie production.
- Accepts many types of dough (chocolate chips, raisins, and chopped nuts).
- Makes 300 cookies per minute (18,000 pieces per hour).
- Holds 40 lbs. of dough in hopper.
- Cookie weight ranges between ¼ oz. to 3 oz.
- Drop height and cookie spacing are easy to adjust.
- Change cookie die in minutes.
- Over 100 different dies available.
- All parts are submersible for cleaning.
- No electricity needed.
- 87 pounds shipping weight.



Rhodes Kook-e-King by Practical Bakery Equipment - 1001 W. Diggins St. Harvard, IL 60033  
(815) 943-8730 - (815) 943-7942 Fax - [www.Kook-e-King.com](http://www.Kook-e-King.com) - [sales@kook-e-king.com](mailto:sales@kook-e-king.com)

© Copyright 2001 Practical Baker

Unauthorized copying or distribution of this page or any of its contents without written permission is expressly forbidden.